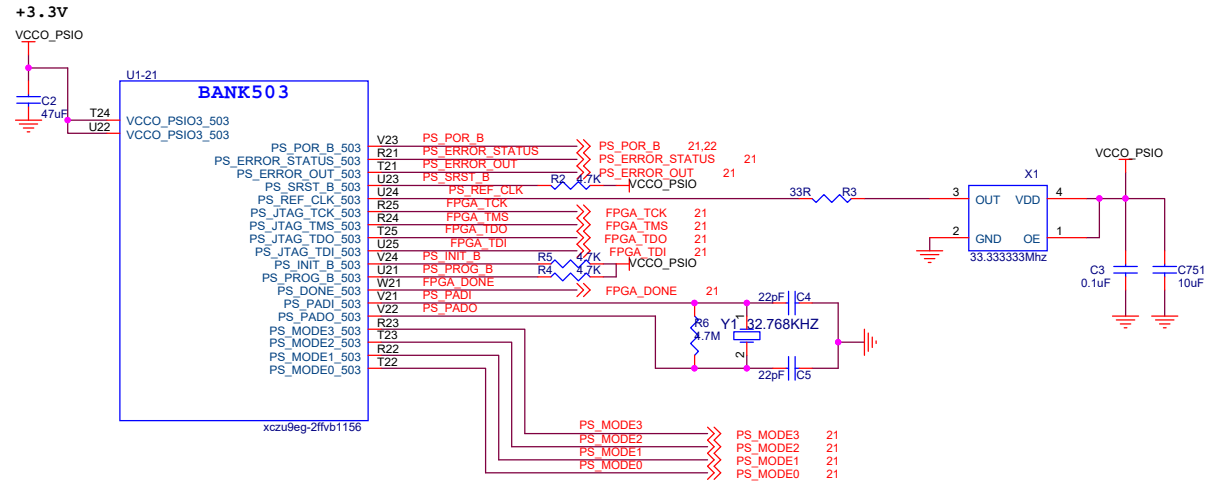
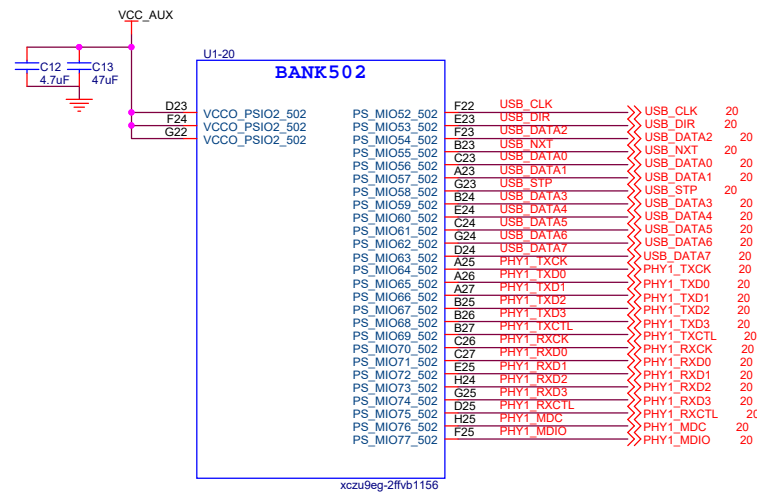
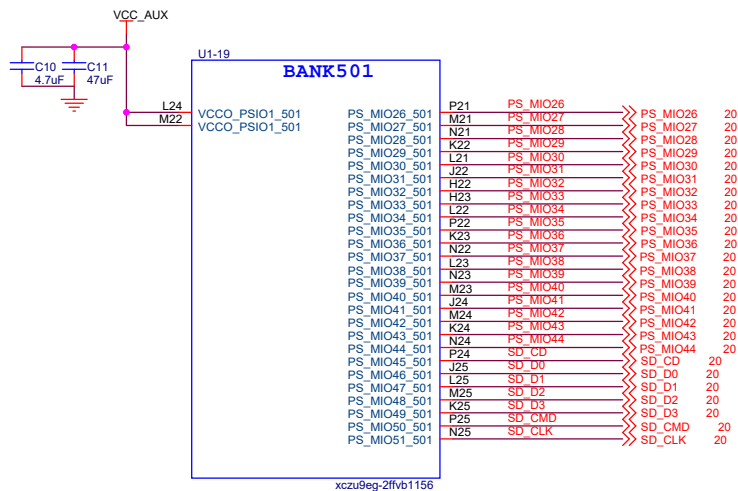
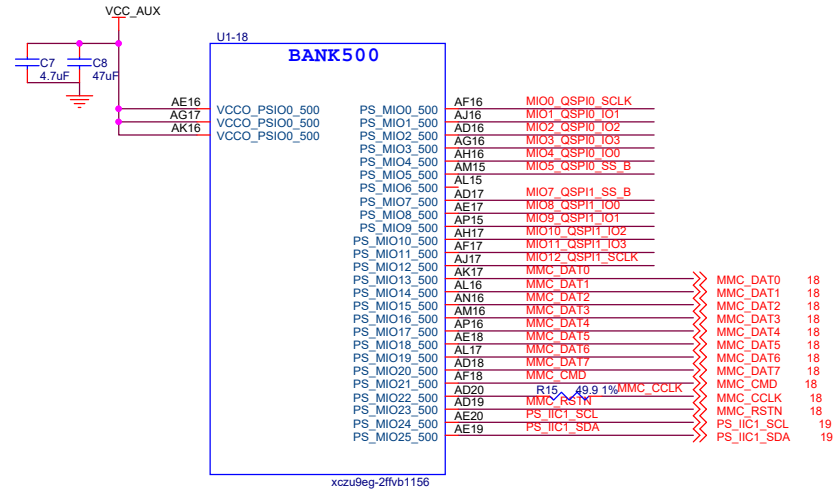
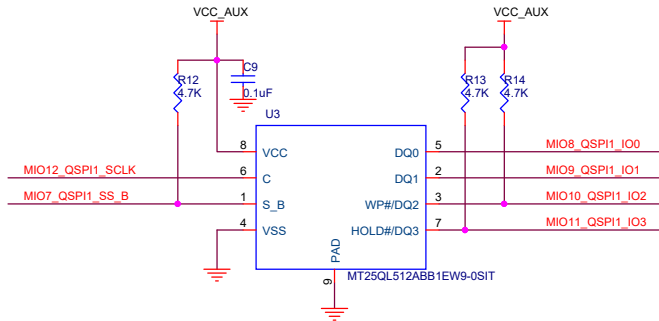
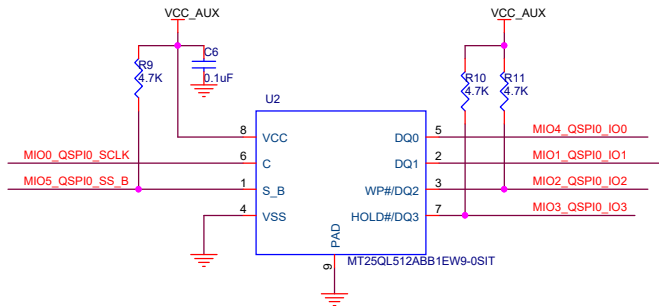
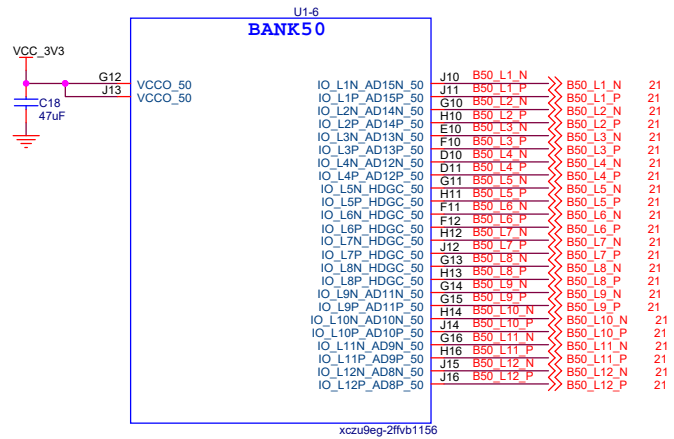
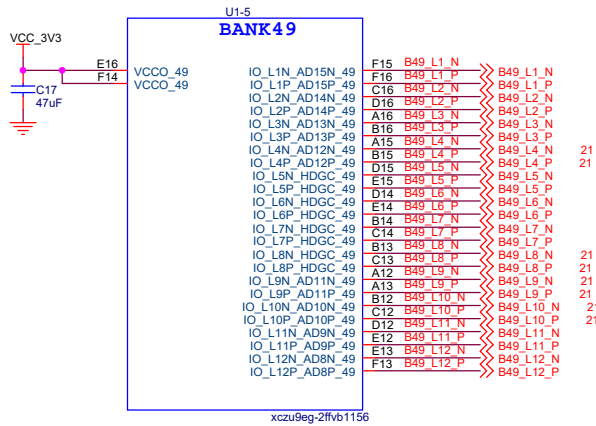
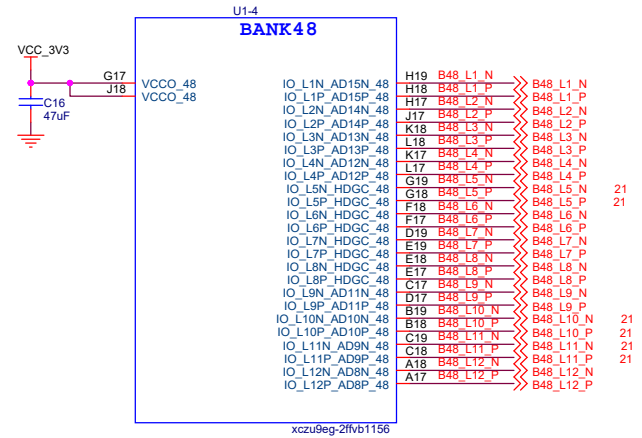
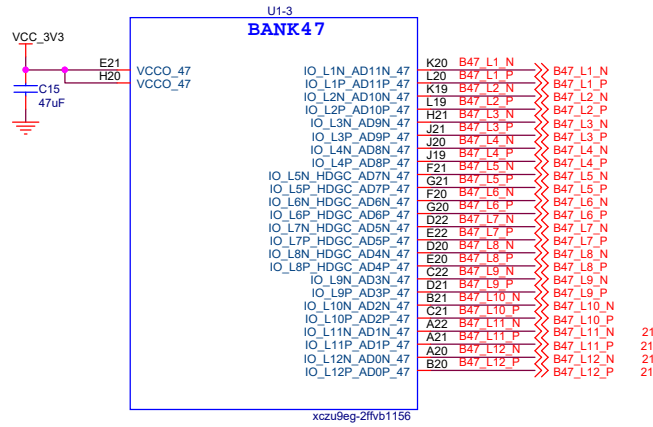
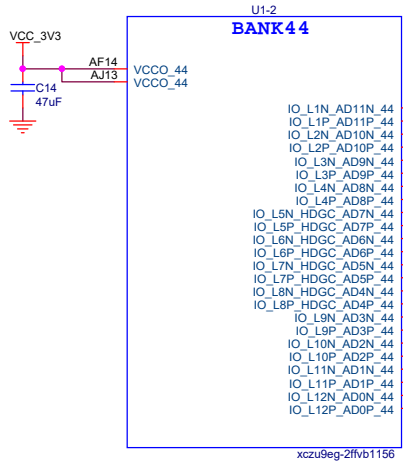


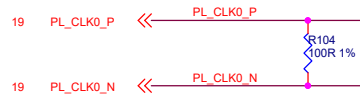
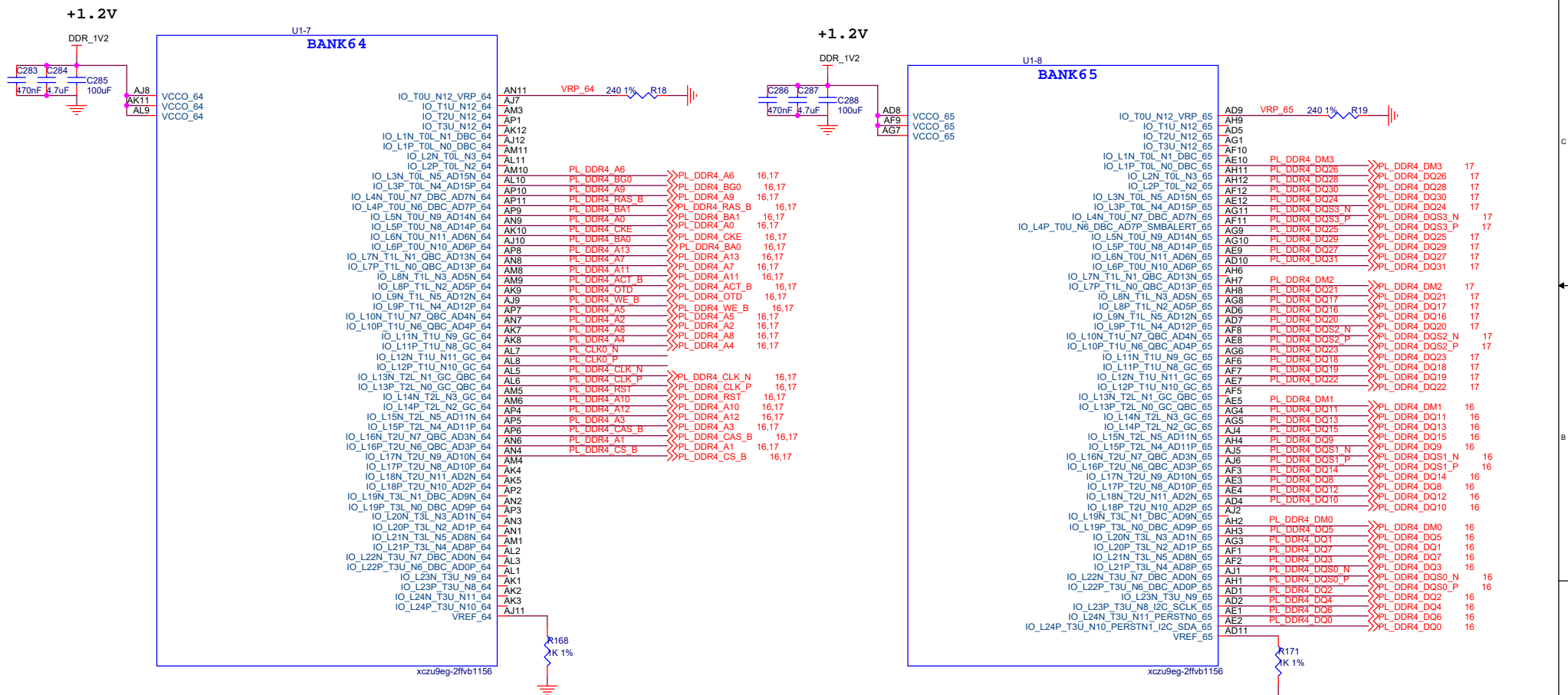
MODE[3:0] BOOT MODE Description

MODE[3:0]	BOOT MODE	Description
0000	PS JTAG	PS JTAG Interface
0001	Quad_SPI(24b)	24-Bit addresssing(QSPI24)
0010	Quad_SPI(32b)	32-Bit addresssing(QSPI32)
0011	SD0(2.0)	SD2.0
0101	SD1(2.0)	SD2.0
0110	eMMC(1.8V)	eMMC version 4.5 at 1.8V
0111	USB0(2.0)	USB 2.0 only
1110	SD1 LS(3.0)	SD 3.0

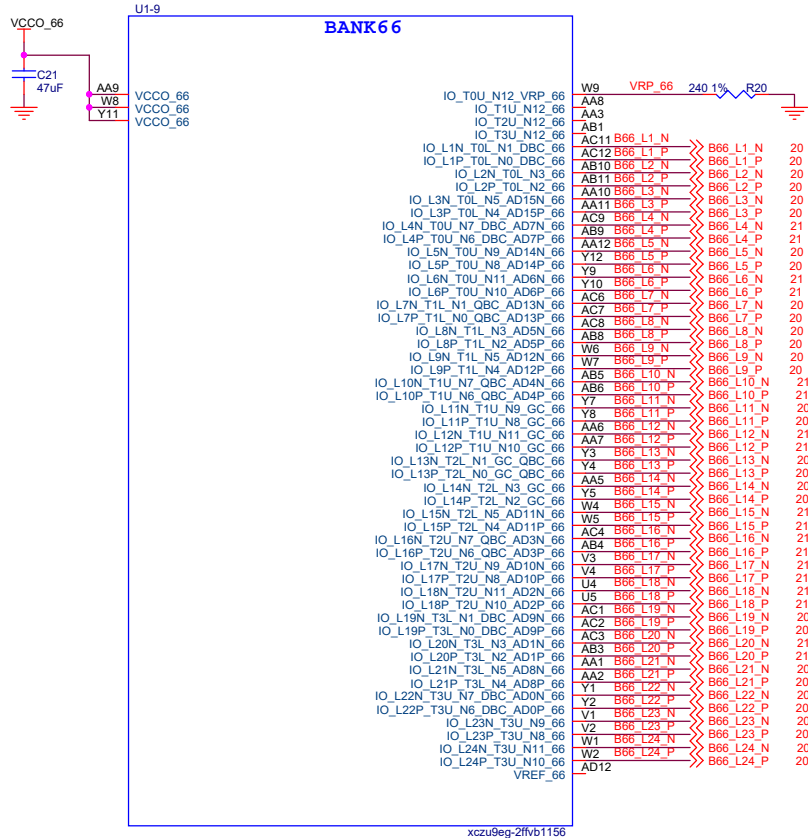




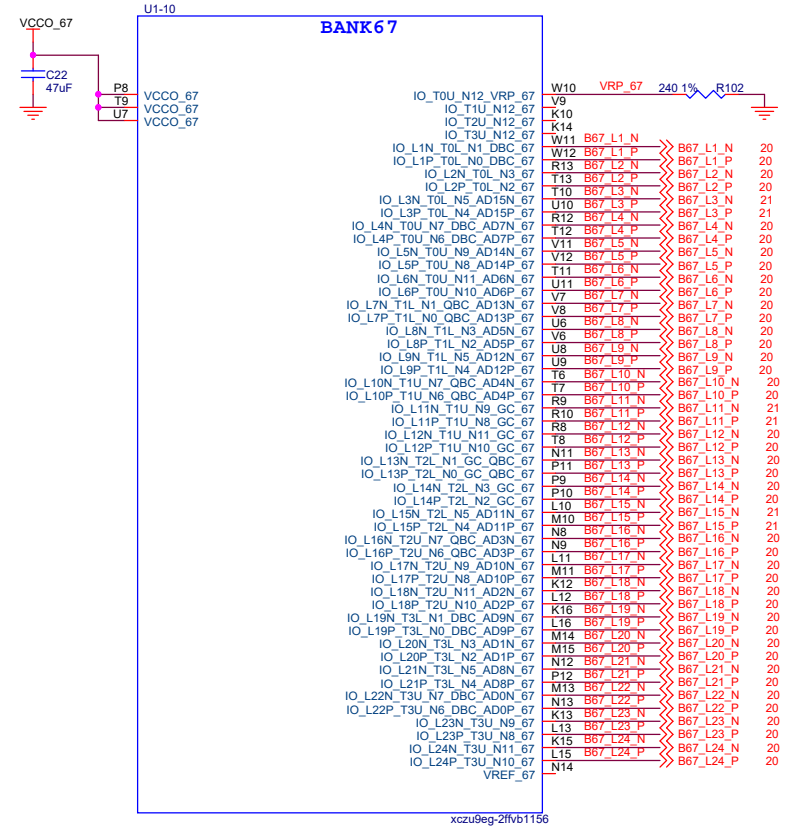


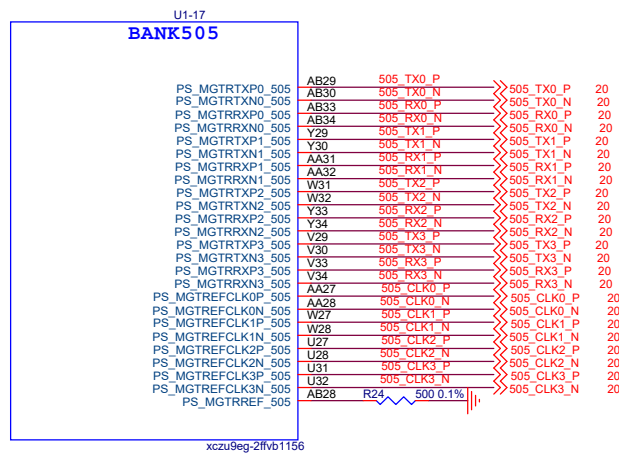
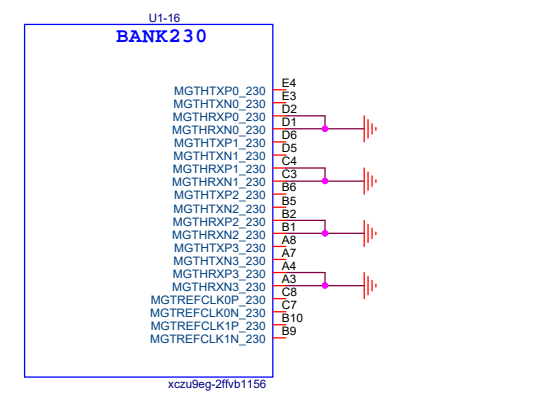
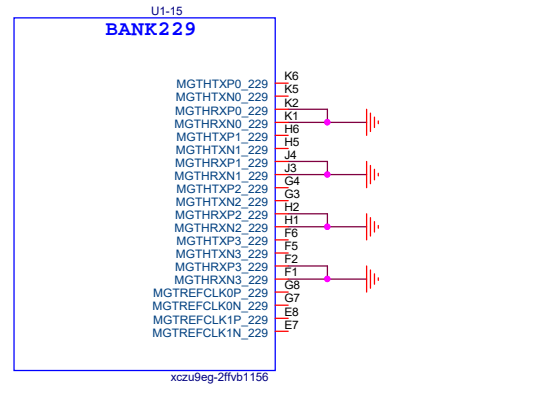
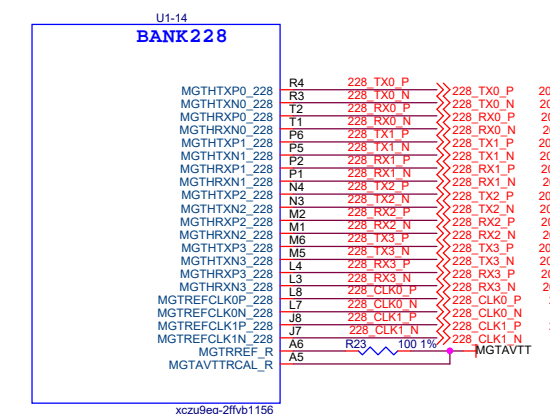
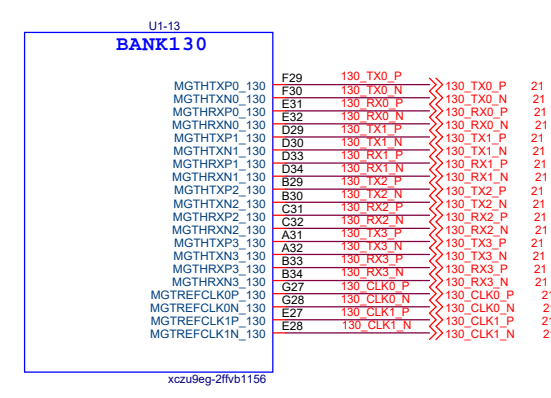
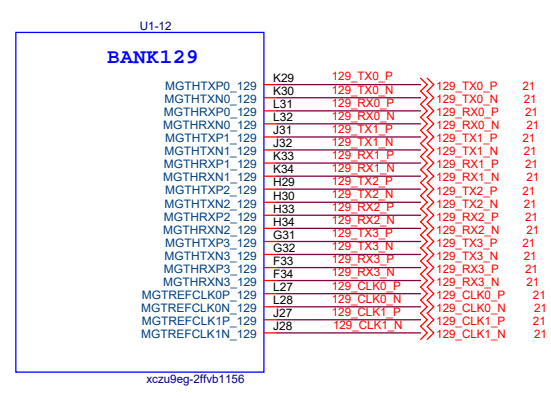
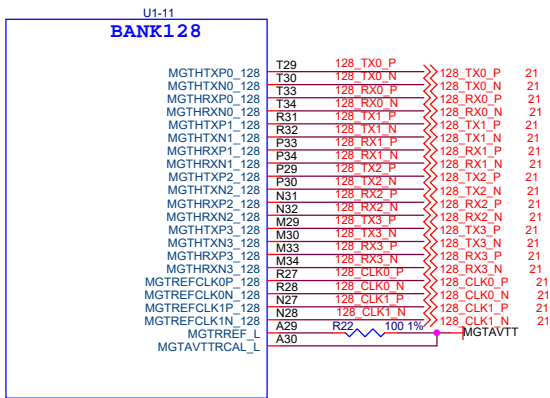


1.2V~1.8V

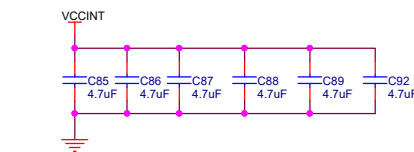
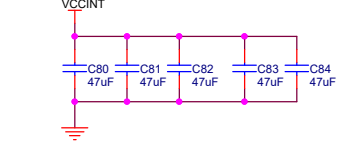
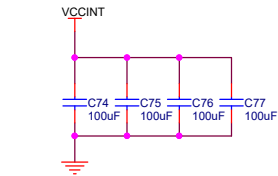
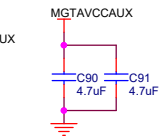
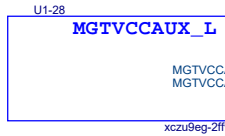
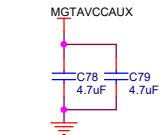
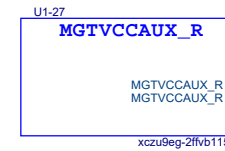
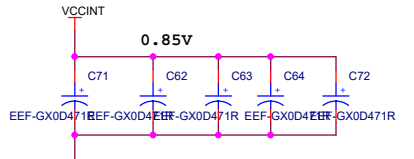
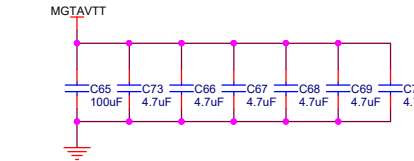
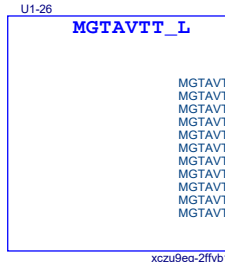
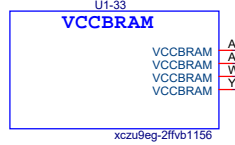
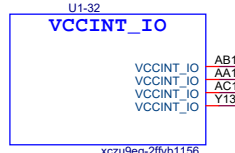
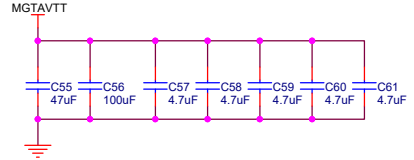
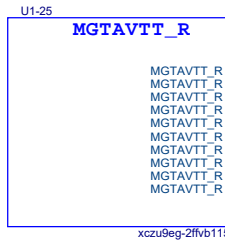
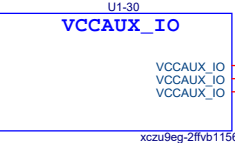
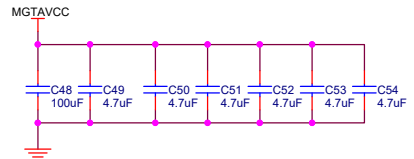
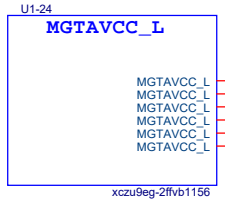
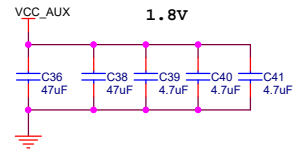
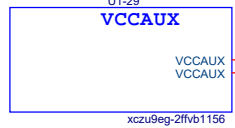
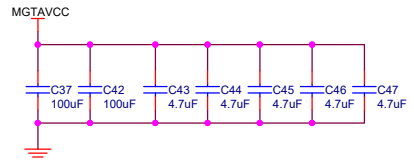
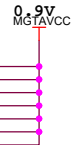
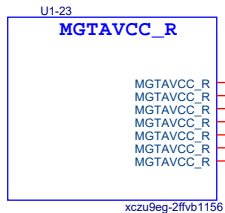


1.2V~1.8V





POWER ON: VCCINT/VCCINT_IO/VCCBRAM(+0.85V)->VCCAUX/VCCAUX_IO(+1.8V)->VCCO(+3.3V, +1.8V)

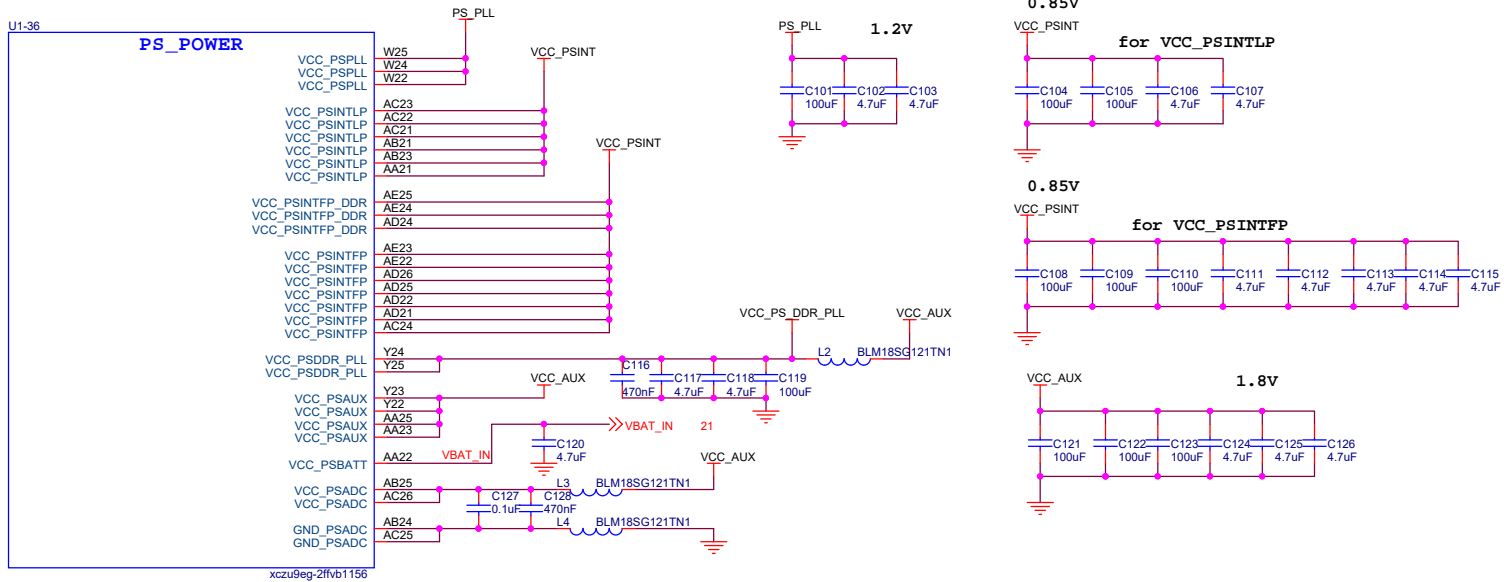
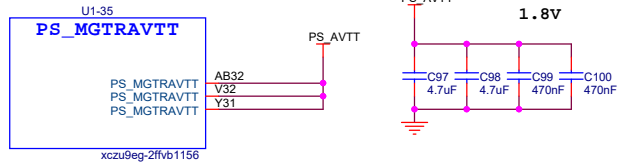
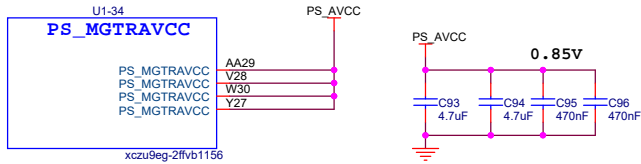


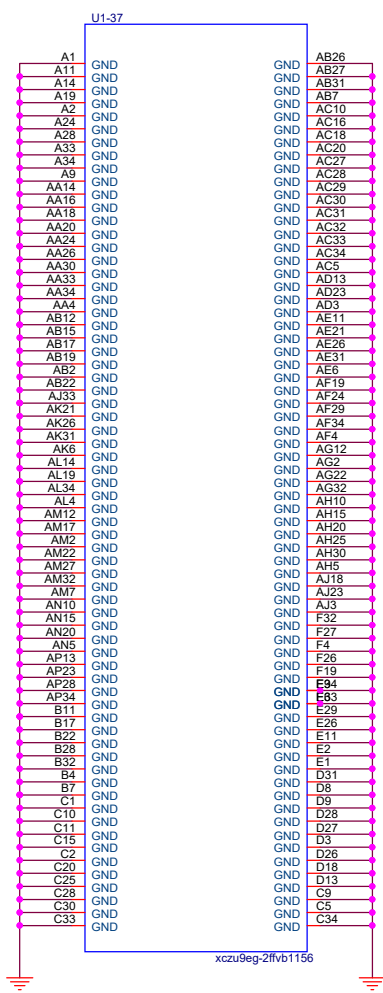
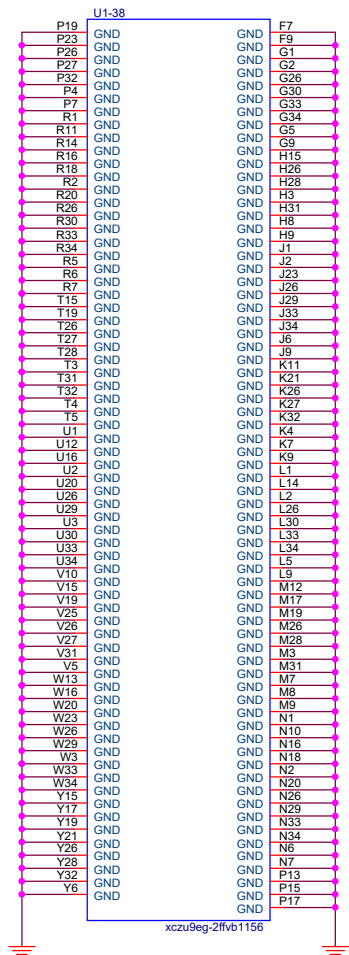
If all of the Quads in a power supply group are not used, the associated power pins can be left unconnected or tied to GND

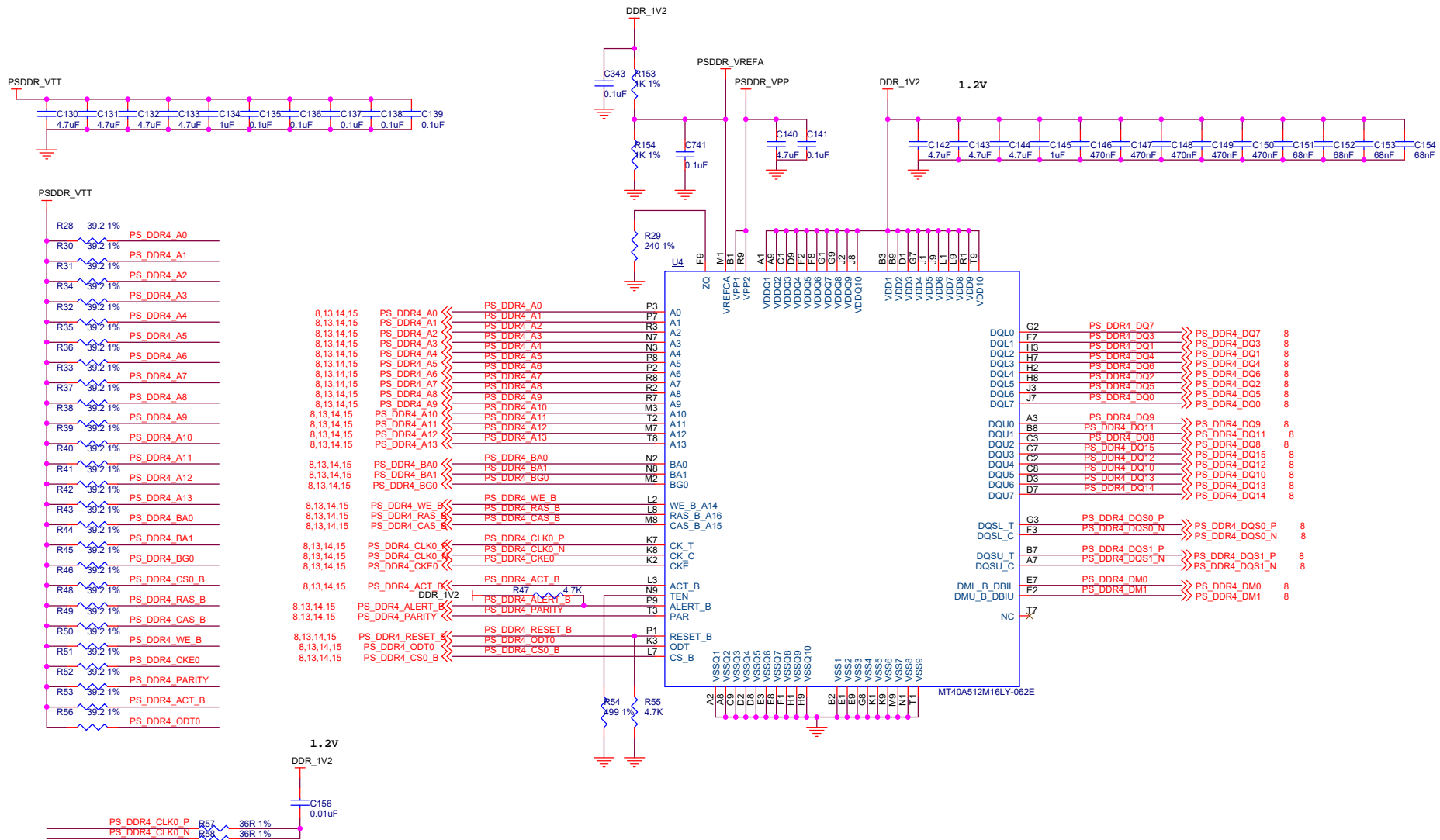
ALINX Confidential

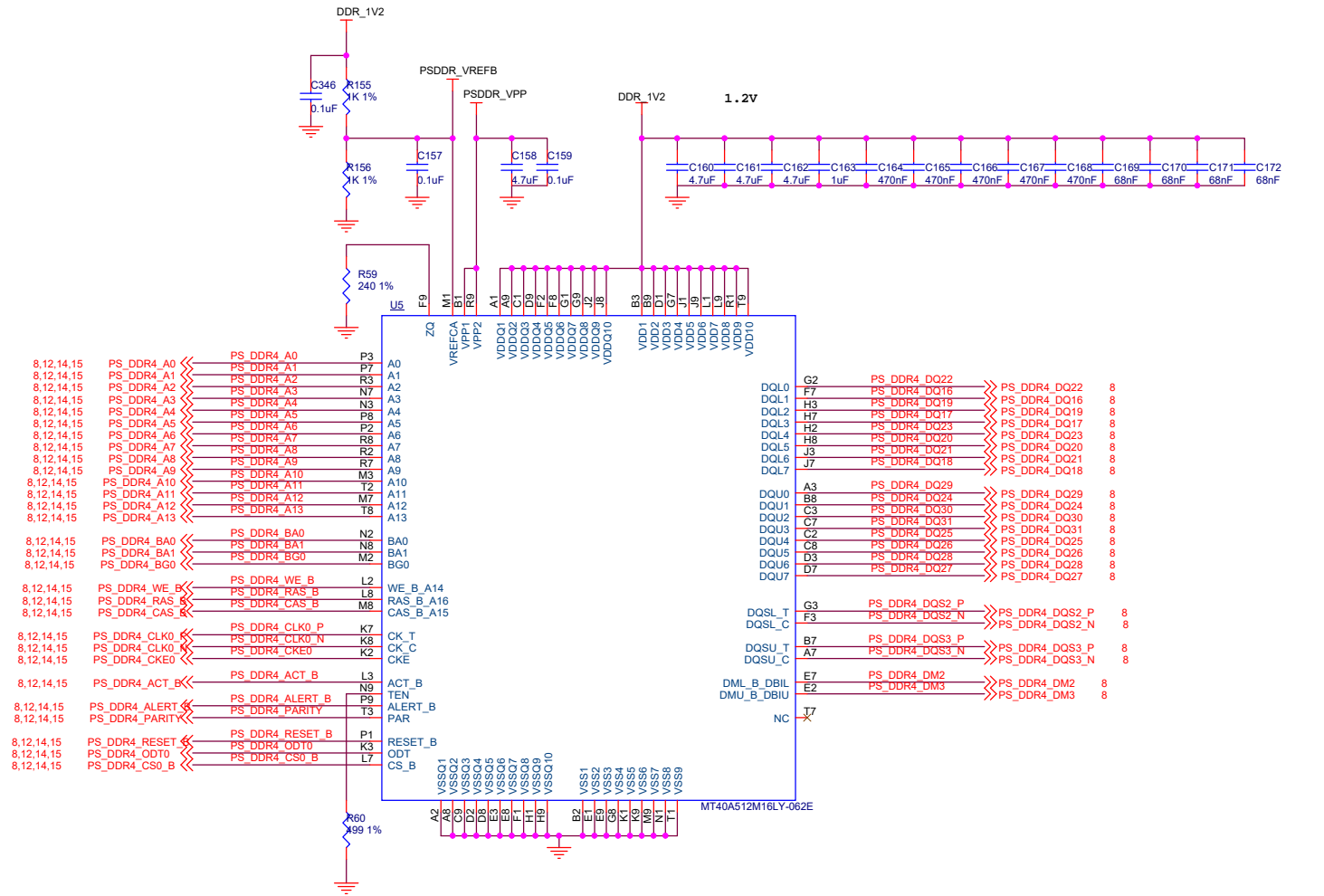
POWER ON: VCC_PSINTFP/VCC_PSINTFP_DDR(+0.85V)->VPS_MGTRAVCC(+0.9V),VCC_PSDDR_PLL(+1.8V)->VPS_MGTRAVTT(+1.8V),VCCO_PSDDR()

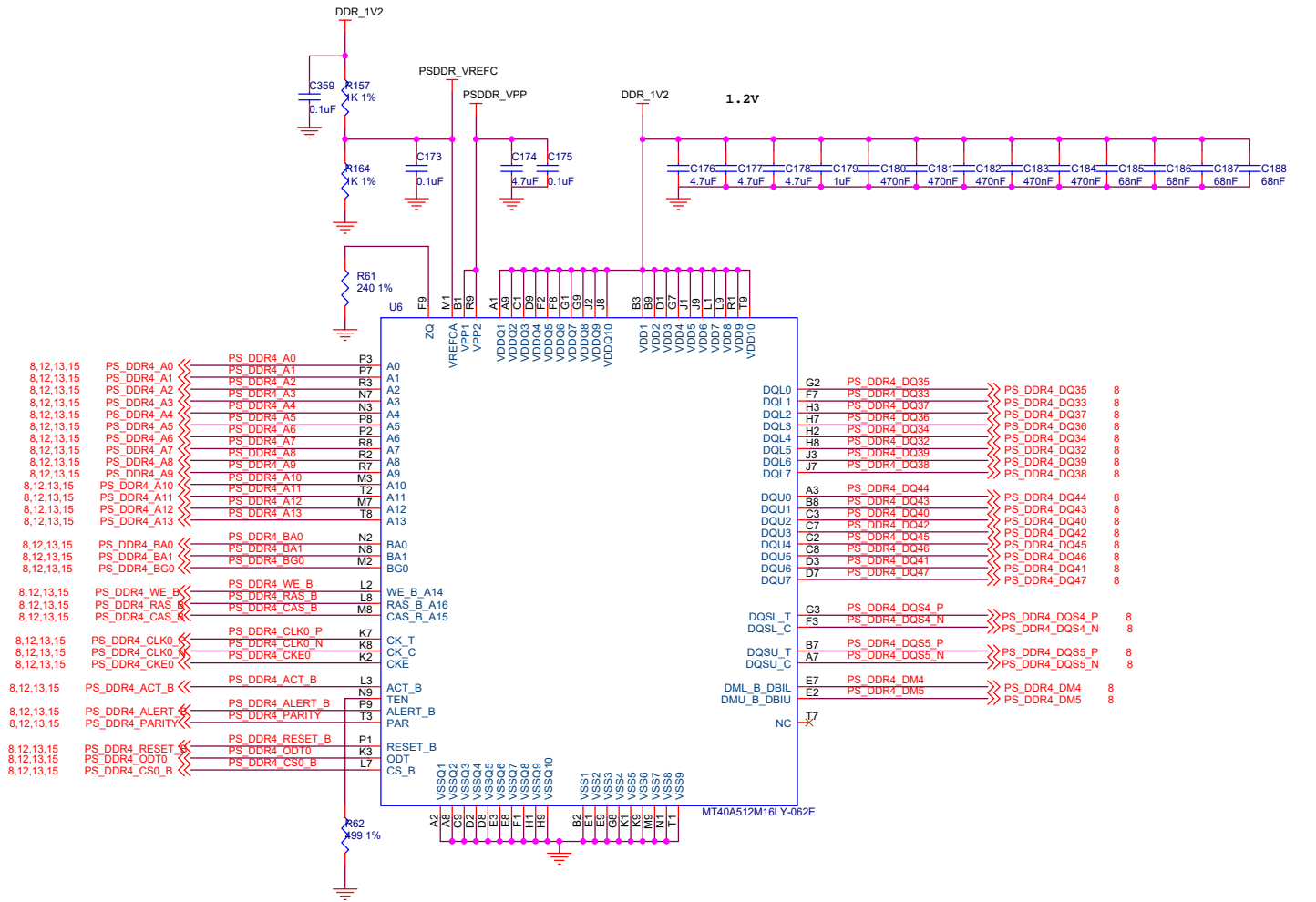
POWER ON: VCC_PSINTLP(+0.85V)->VCC_PSAUX(+1.8V),VCC_PSADC(+1.8V),VCC_PSPLL(+1.2V)->VCCO_PSIO(+1.8V)

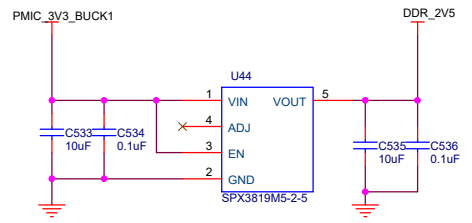
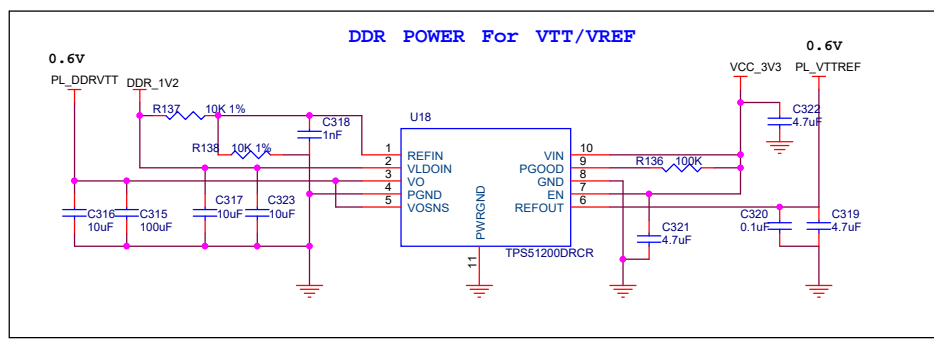
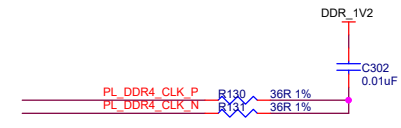
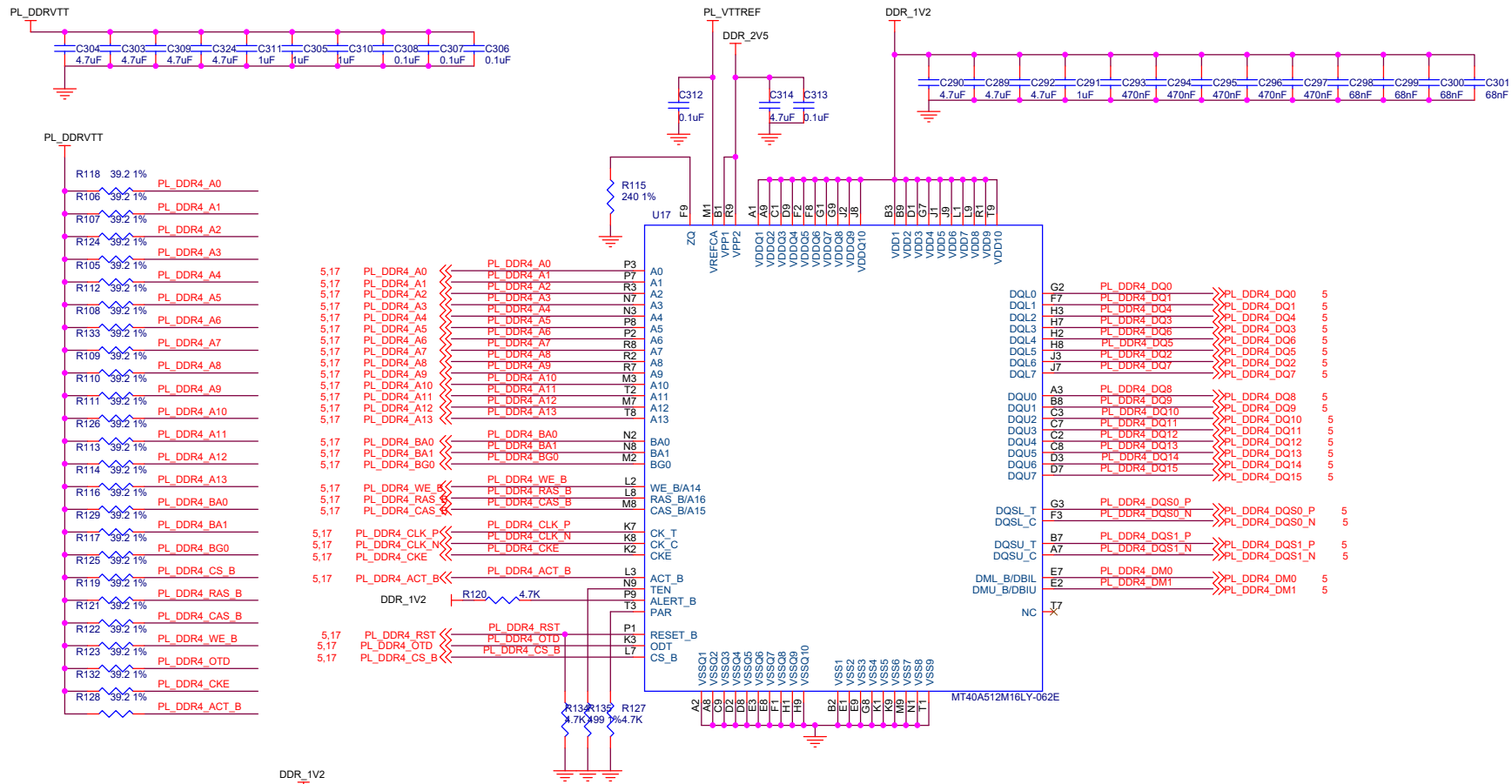


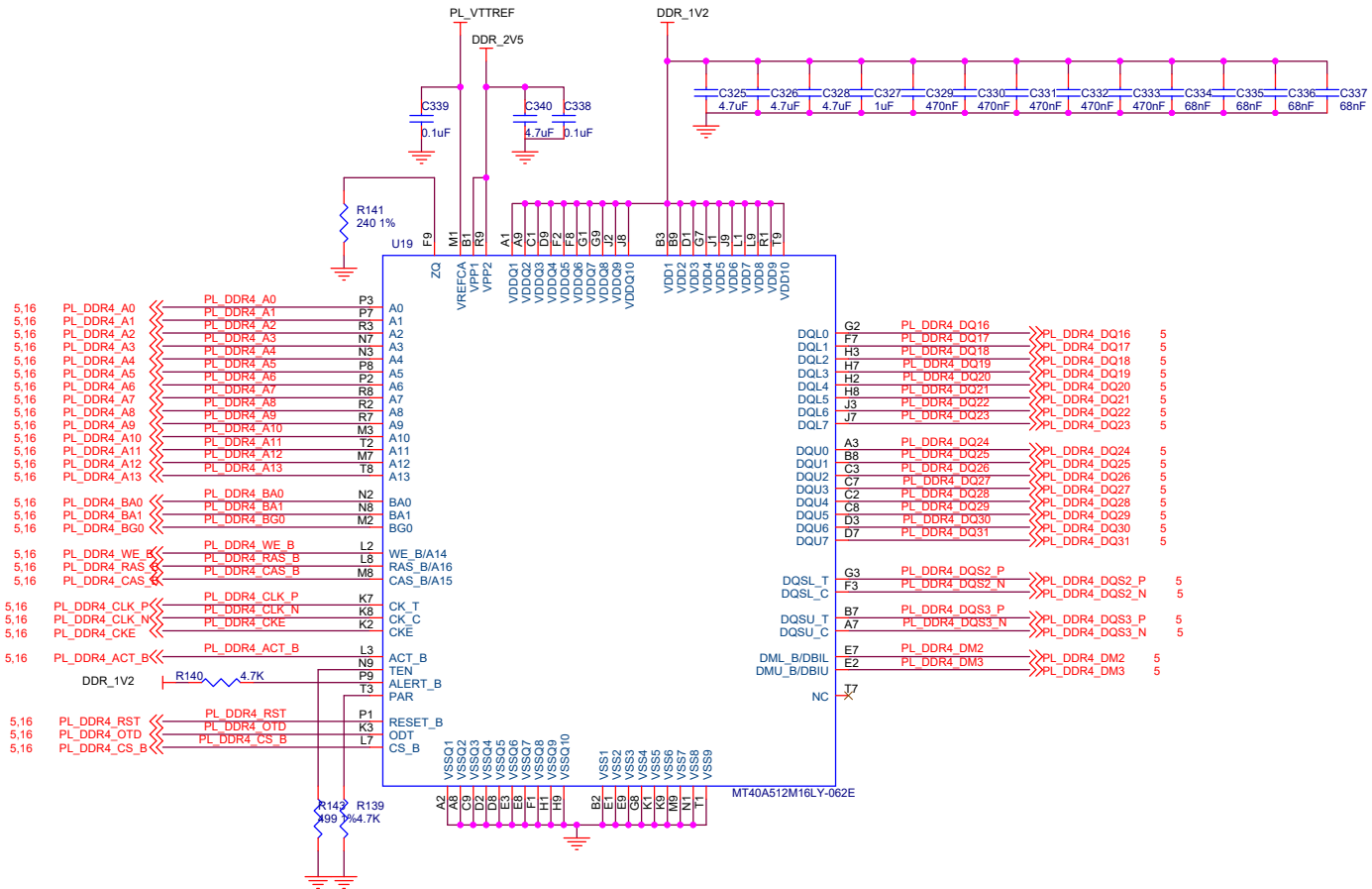


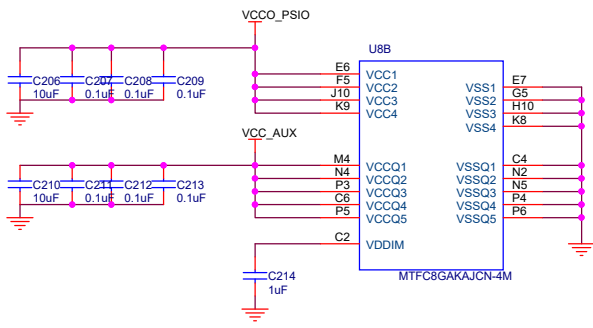
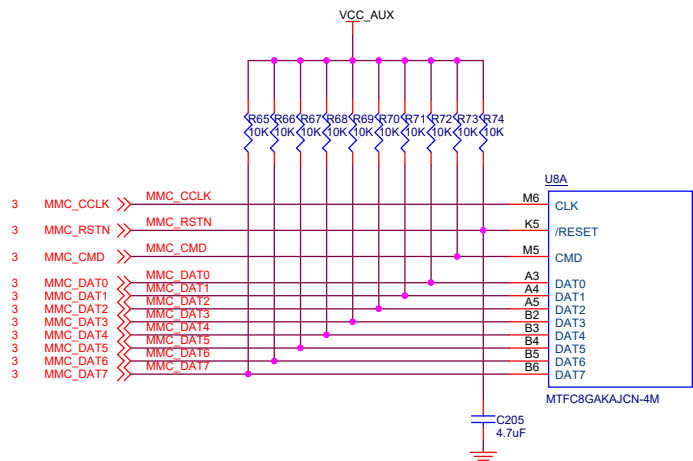
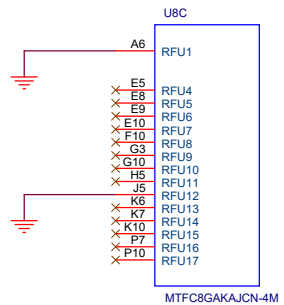
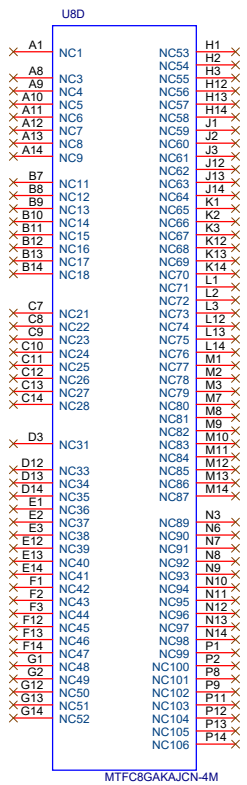






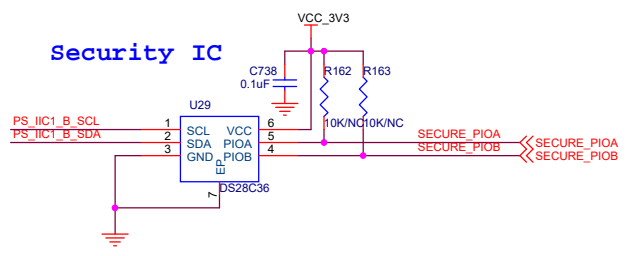
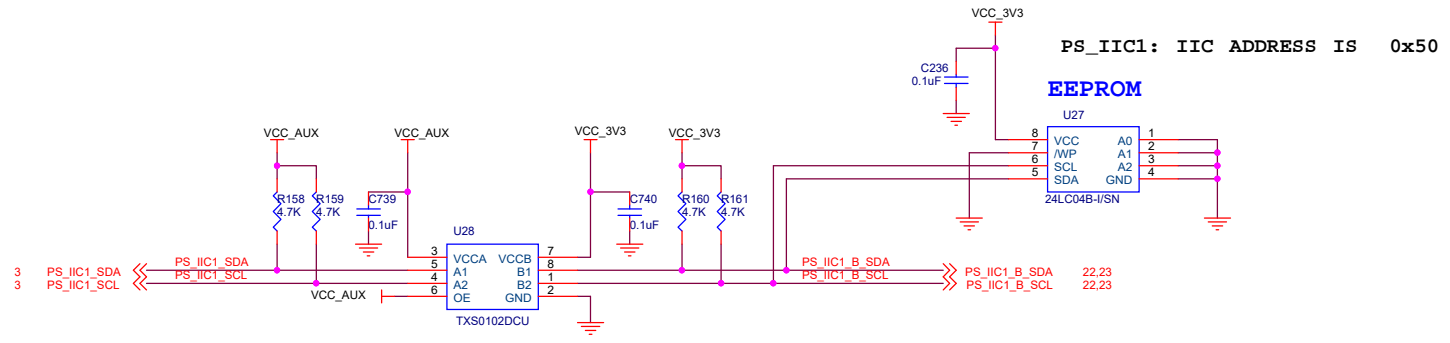
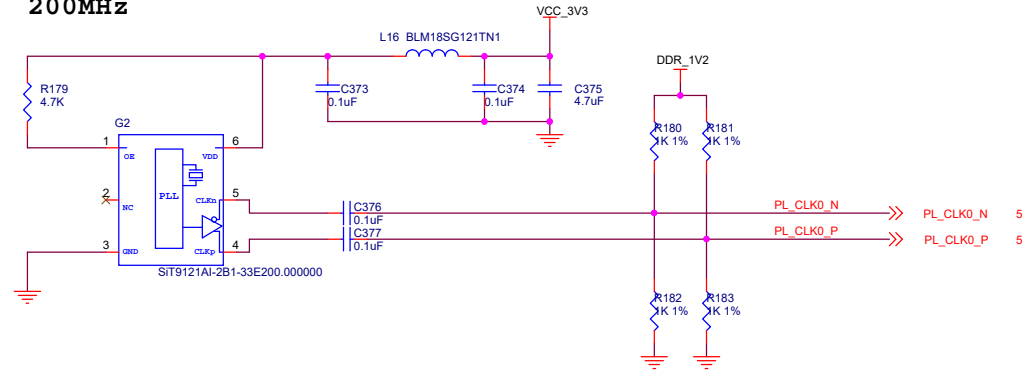






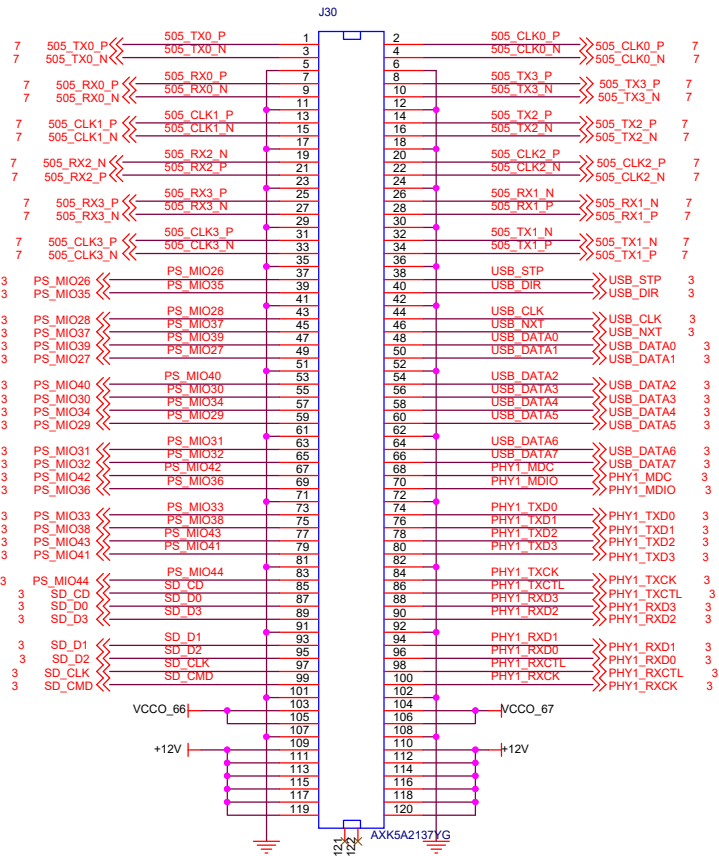
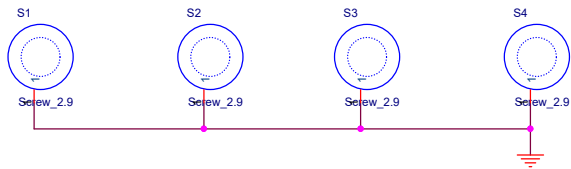
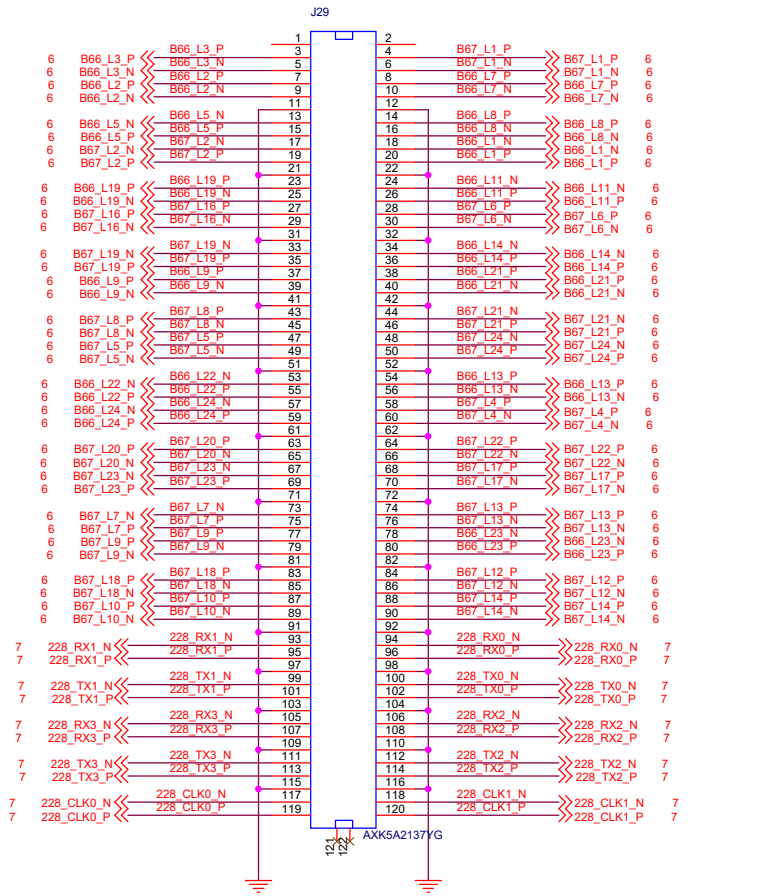
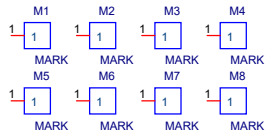
PL SYSTEM CLOCK

200MHz



ALINX Confidential

ALINX		www.alinx.com
Title PAGE19 CLOCK		
Size	Document Number ACU15EG核心板 Schematics	Rev 1.0
Date:	Friday, November 20, 2020	Sheet 19 of 23



+0.85V 25A

